

# SKIP HOIST CABLE DUMPERS

**FOR DISCHARGING THE  
CONTENTS OF ANY CONTAINER  
OR BULK MATERIAL TRANSFER**



## ***Features:***

- Easy To Install
- Completely Free-Standing
- Fully Assembled And Wired
- Unlimited Capacity, Lift Height, Speeds And Skip Sizes
- Discharge Angles Up To 180°
- Heavy Duty Industrial Construction
- Can Be Automated For Handling Containers And Bulk Materials

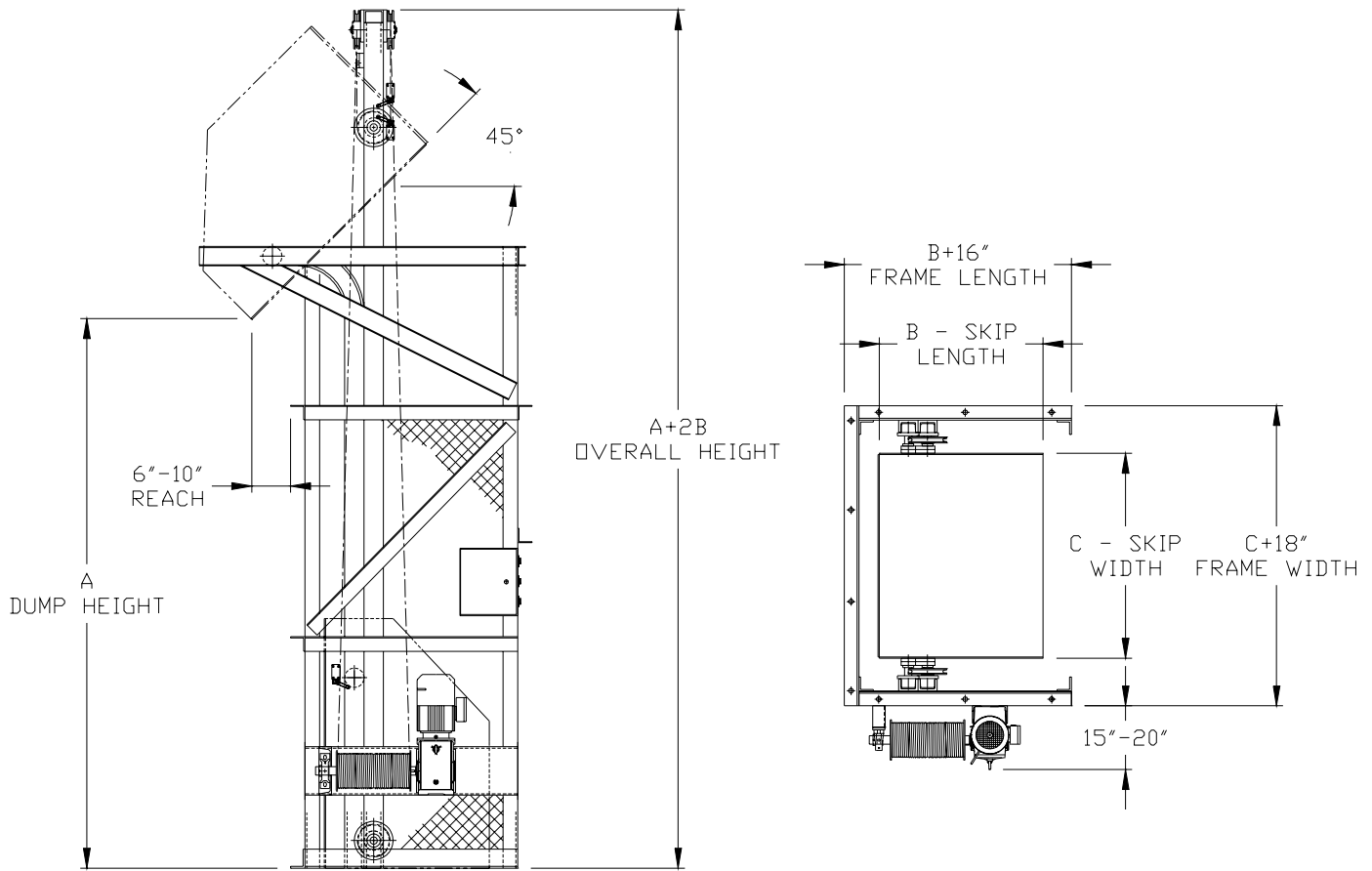


**ESSEX - RISE CORPORATION**

4 FAIRFIELD CRESCENT - WEST CALDWELL, NJ 07006

(973) 575-7483PH - (973) 575-0576FX

WWW.ESSEXRISE.COM



All Dimensions Are Approximate And May Vary By Application

### **Standard Features**

- The Dumper is powered up/down via momentary contact pushbutton with E-stop and equipped with upper, upper overtravel, lower and slack cable limit switches. Motor starting via a full voltage reversing contactor with thermal overload, phase loss and jam protection. NEMA 4/12 watertite/dustite control package rating with 230/460/3/60 primary and 115 volt control circuit is standard.
- Skip guides and sheaves are machined steel with sintered bronze bushings or sealed ball/roller bearings as standard.
- Heavy duty hoisting system includes but not limited to; right angle helical/bevel worm reducer direct coupled to the winding drum. Machined steel/cast iron winding drum is dual grooved for two wire ropes and is supported in relubricatable, heavy duty mounted ball or roller bearings. The motor is hoist duty rated, direct coupled to the reducer and provided with a "Fail-Safe" spring applied, electrically released brake.
- Standard operating speed is 20 feet per minute.
- Frame and skip of welded construction using carbon steel structural shapes, tubing and plate. Skip to have a hold down designed specifically for each container handled. Equipment is power tool and solvent cleaned to SSPC-SP3 then finished with high gloss, DTM Machinery Grey enamel.
- Electrically interlocked safety gate and enclosure is quoted as standard equipment.
- Available options include; Automatic Loading, Higher Operating Speeds, Inclined Rails, Stainless Steel Construction, Corrosion Resistant Or Food Grade Finishes, Explosion Proof Controls, and many other frequently requested features.



**ESSEX - RISE CORPORATION**

4 FAIRFIELD CRESCENT, WEST CALDWELL, NJ 07006

(973) 575-7483PH - (973) 575-0576FX